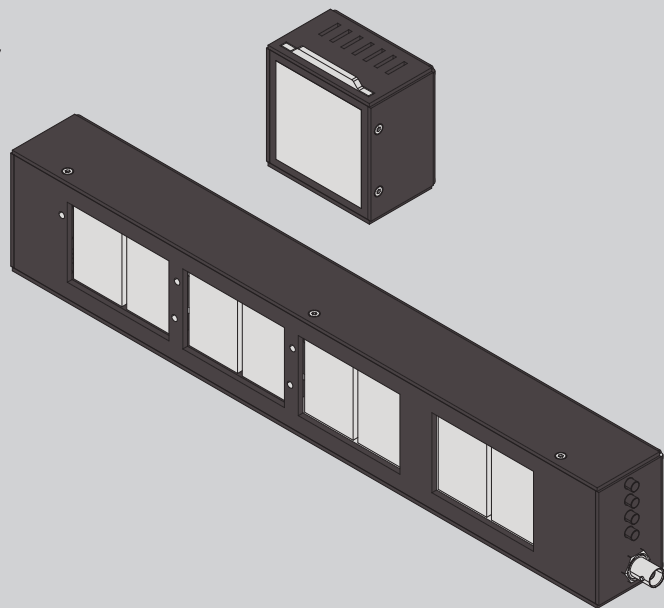


## Clock & Tally



P7014-1001 Clock  
P7014-1000 Tally

**Copyright © 2025**  
**All rights reserved.**

Original Instructions: English

All rights reserved throughout the world. No part of this publication may be stored in a retrieval system, transmitted, copied or reproduced in any way, including, but not limited to, photocopy, photograph, magnetic or other record without the prior agreement and permission in writing of the Videndum

### **Disclaimer**

The information contained in this publication is believed to be correct at the time of printing. Videndum Production Solutions Ltd reserves the right to make changes to the information or specifications without obligation to notify any person of such revision or changes. Changes will be incorporated in new versions of the publication.

We are making every effort to ensure that our publications are updated on a regular basis to reflect changes to product specifications and features. Should this publication not contain information on the core functionality of your product, please let us know. You may be able to access the latest revision of this publication from our website.

Videndum Production Solutions Ltd reserves the right to make changes to product design and functionality without notification.

### **Trademarks**

All product trademarks and registered trademarks are the property of Videndum Production Solutions.

All other trademarks and registered trademarks are the property of their respective companies.

### **Published by:**

Videndum Production Solutions Ltd

Email: [technical.publications@Videndum.com](mailto:technical.publications@Videndum.com)

<b>Contents</b> .....	<b>3</b>
<b>Safety</b> .....	<b>4</b>
Warning Symbols Used in these Instructions .....	4
Basic Electrical Insulation (Class 1 Equipment) .....	4
Water, Moisture and Dust .....	5
Ventilation .....	5
Operating Environment .....	5
Cleaning.....	5
Maintenance	
Clock .....	5
Tally .....	5
<b>Box Contents</b> .....	<b>6</b>
Box Contents.....	6
<b>Set-up</b> .....	<b>8</b>
Mounting Instructions.....	8
To fit the Tally when there is no talent monitor in use. ....	10
To fit the Tally when there is a talent monitor in use. ....	10
Connection.....	12
Clock .....	12
Tally.....	13
Fitting Sensor.....	13
OSD Controls Clock.....	15

<b>Operation</b> .....	<b>15</b>
OSD Controls Tally.....	15
<b>Troubleshooting</b> .....	<b>16</b>
<b>Technical Specifications / Cleaning</b> .....	<b>17</b>
General Notices .....	18



Use the QR code to access further information and downloads.

# Safety

**Important information on the safe installation and operation of this product. Read this information before operating the product. For your personal safety, read these instructions. Do not operate the product if you do not understand how to use it safely. Save these instructions for future reference.**

## Warning Symbols Used in these Instructions

Safety cautions are included in these instructions. These safety instructions must be followed to avoid possible personal injury and avoid possible damage to the product.



### **WARNING!**

Where there is a risk of personal injury or injury to others, comments appear supported by the warning triangle symbol.

Where there is a risk of damage to the product, associated equipment, process or surroundings, comments appear supported by the word '**CAUTION**'.



### **ELECTRIC SHOCK**

Where there is a risk of electric shock, comments appear supported by the hazardous voltage warning triangle.



**WARNING! Risk of electric shock.** Always disconnect and isolate the product from the power supply before attempting any servicing or removing the covers. Device operators must be able to disconnect devices that lack a power switch, or whose power switch is not easily accessible, from the power supply at all times. This can be achieved by providing a mains plug that is readily accessible or by installing another easily accessible disconnection device.



**CAUTION!** The products must be connected to a power supply of the same voltage (V) and current (A) as indicated on the products. Refer to the technical specifications for the products



**CAUTION!** Only use the power cable specified for the products and certified for the country of use.



**CAUTION!** Using alternative power sources will invalidate the system EMC liability.



**CAUTION!** Explosion Hazard. The product is not intended for use out of doors or in areas where an explosion hazard may occur.

## Basic Electrical Insulation (Class 1 Equipment)



**WARNING!** This product is Class 1 equipment. For safe operation this equipment must be connected to a power supply that has a protective earth connection (US: ground).



**WARNING!** Always ensure that all power and auxiliary communications cables are routed so that they do not present any danger to personnel. Take care when routing cables in areas where robotic equipment is in use.

## Water, Moisture and Dust



**WARNING!** Protect the product from water, moisture and dust. The presence of electricity near water can be dangerous.



**WARNING!** This product has no protection from water ingress, for indoor use only.

## Ventilation



**WARNING!** Slots and openings are intended for ventilation purposes to ensure reliable operation of the product, and protect it from overheating. Do not block or cover any slots and openings.

---

## Operating Environment

---



**CAUTION!** The product should not be used outside the operating temperature limits. Refer to the product technical specifications for the operating limits for the product.

---

## Cleaning

---



**WARNING! Risk of electric shock.** Always disconnect and isolate the product from the power supply before cleaning.

---



**CAUTION!** Do not use solvent or oil-based cleaners, abrasives or wire brushes.

---

## Maintenance

---



**WARNING!** Servicing or repair of this product must only be performed by qualified and trained electrical engineers.

---



**WARNING!** The fitting of non-approved parts and accessories, or the carrying out of non-approved alterations or servicing can be dangerous and could affect the safety of the product. It may also invalidate the terms and conditions of the product warranty.

---



**WARNING! Suffocation hazard.** Store all packaging material out of reach of children.

---

## About this Guide

This manual provides essential instructions for the installation, configuration, and operation of the product. To ensure correct and efficient use, read the manual in full before starting any procedures, as certain information applicable to multiple sections is provided only once.

This product is intended for use in industrial and broadcast environments.

### Clock Unit Overview

The Clock can operate as a standalone unit. It receives power directly from PSP or PSP+ monitors via an RJ45 connection to the AUX IN port on the Clock.

The Clock displays studio time and camera number using high-visibility seven-segment LED characters. All LEDs support both red and green output. Brightness is calibrated for consistency across all segments, individual LEDs, and both colours.

### Tally Unit Overview

The Tally is a simple indicator unit that receives both power and Tally state over a bus connection. Power can be supplied from a PSP or PSP+ monitor, a PSU, or via a connected Clock unit.

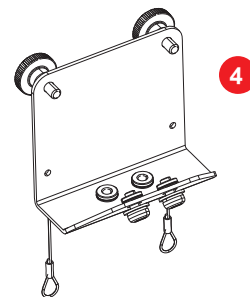
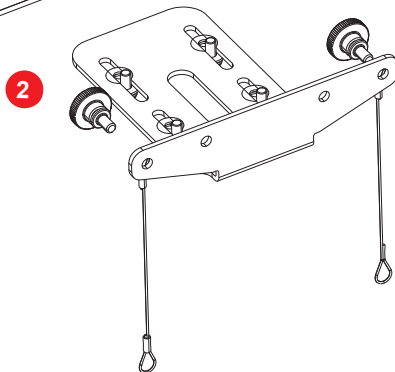
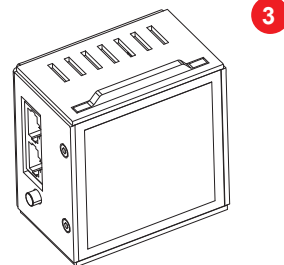
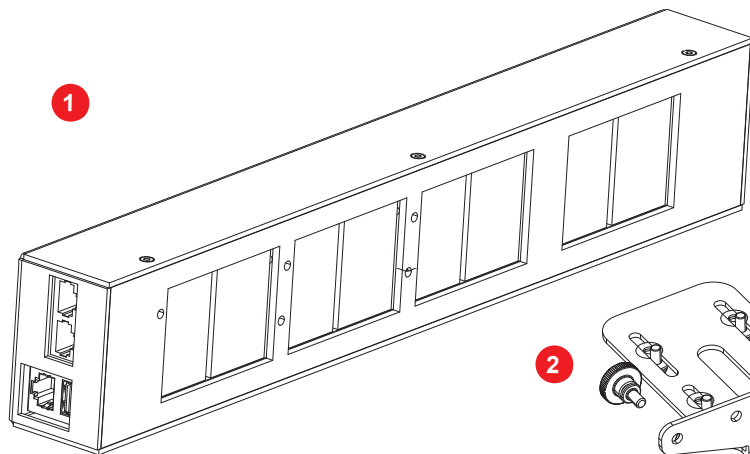
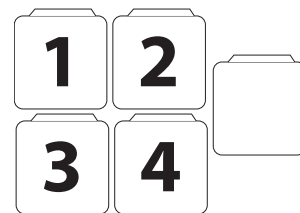
The Tally state is received through a standard opto-isolated sensor. The unit displays a 'live' camera status using a square, diffused, high-brightness red LED.

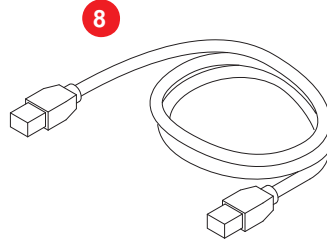
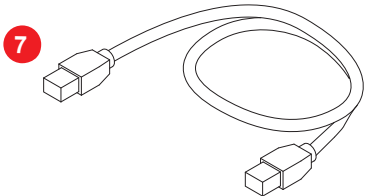
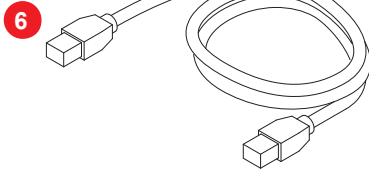
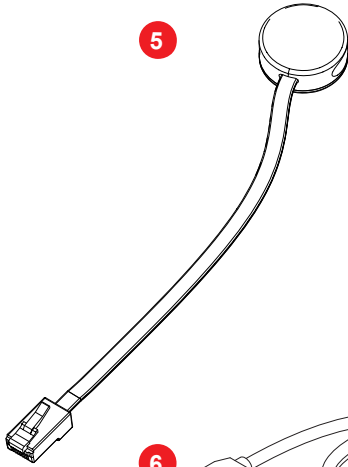
An optional green off-air mode allows the Tally number to remain visible when the camera is not live.

A 3 mm momentary push button allows users to cycle through five pre-set brightness levels. Additionally, the brightness can be automatically synchronized with the connected Clock unit.

# Box Contents

Box Contents		
1	Clock	P7014-1001
2	Clock Mounting Bracket	P7011-1007
3	Tally Indicator (cw numbered Tally discs)	P7014-1000
4	Tally Mounting Bracket	P7011-1008





## Box Contents

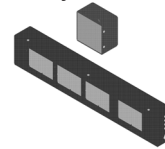
5	Tally Sensor with 1m RJ45 cable	P7014-5000
6	RJ45 patch cable, 1.5m	D200-229
7	RJ45 patch cable 0.5m	D200-228
8	RJ12 to RJ45 patch cable, 1.5m	P7014-5001
9	Quick Start Guide	P7014-4980

9

Quick Start Guide

Autocue

**Clock & Tally**



P7014-000 Clock  
P7014-000 Tally  
[www.autocue.com](http://www.autocue.com)

EN

# Set-up

## Mounting Instructions

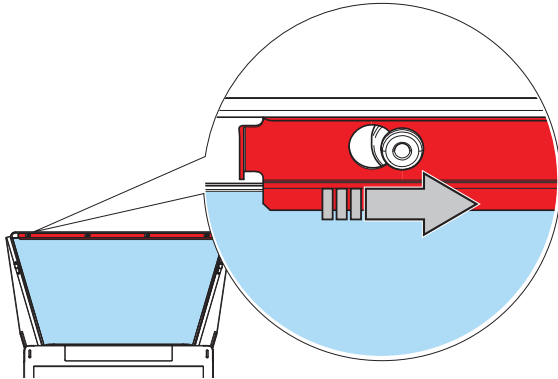
The following cautions must be observed without fail during mounting of the product. Otherwise, the product may be damaged or even destroyed. The warranty does not cover damage resulting from failure to observe the following instructions:

### Tally

The mounting points for the Tally are located on the hood under the glazing bar.

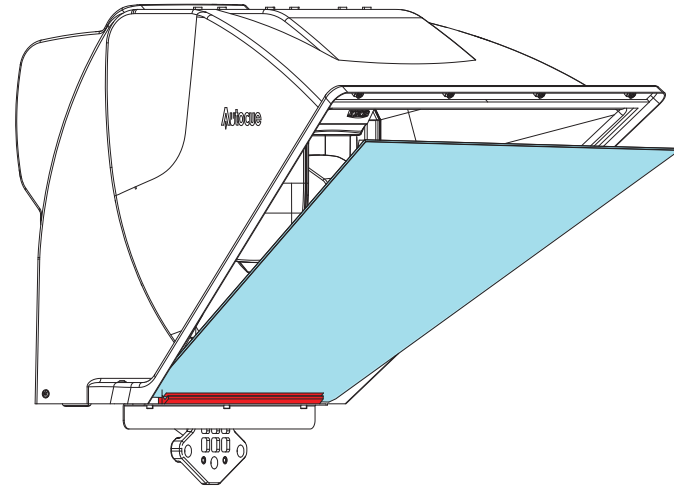
If the glass is fitted remove as follows.

1. Release the top glazing bar by sliding the bar to the right (when facing from the front) until the key way aligns with the bobbins and remove the bar from the hood.



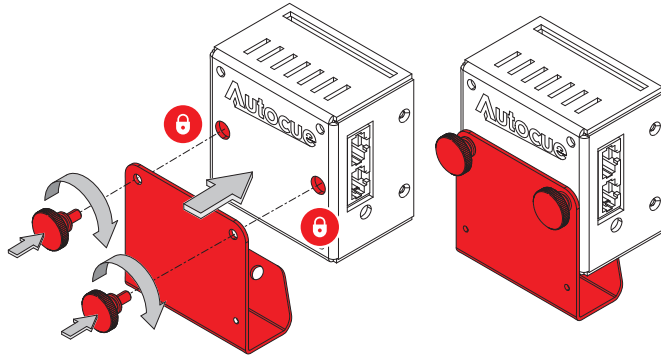
**WARNING!** Handle the glass with care. Recommend slip resistance gloves for safe handling. Store the glass carefully on a flat surface.

2. Carefully lift out the glass

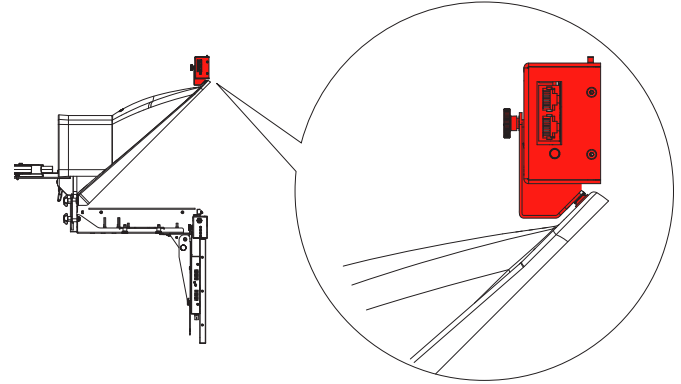
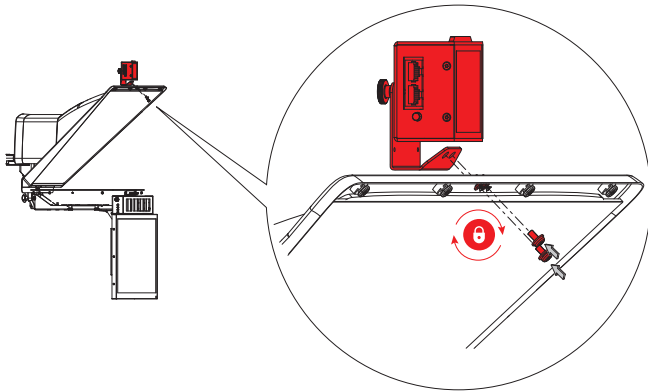


3. Put the glass somewhere safe on a flat surface.
4. When the Tally is fitted replace the glass and glazing bar by reversing steps 1 and 2.

5. Attach the Tally to the Tally Mounting Bracket using the 2 x thumbscrews.



6. Secure the Tally and Mounting Bracket to the hood by inserting the screws from below the hood and screwing into the Tally Mounting Bracket.

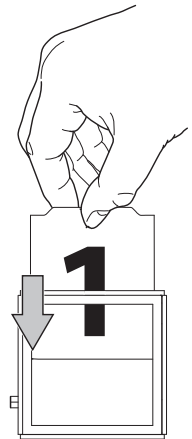


7. Refit the glass (follow step 4).

### To fit the Tally Discs

Slide the numbered disc into the slot in the top of the Tally to display the desired camera number.

Note! A blanc disc is also supplied allowing the use of a marker pen to create a unique identifier.

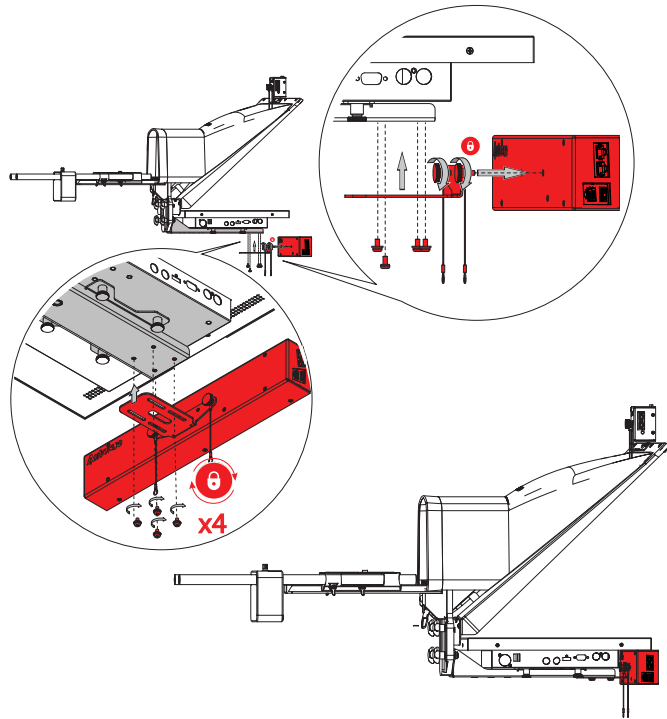


# Set-up

## Clock

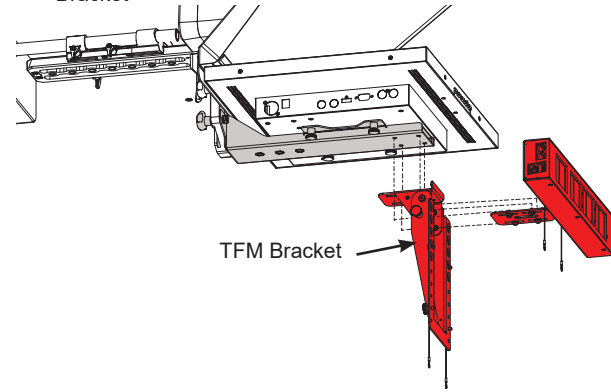
To fit the Clock when there is no talent monitor in use.

1. Use the 2 x thumbscrews to secure the Clock Mounting Bracket to the Clock.
2. Use the 4 x M4 screws to attach the Clock to the Monitor Rail Bracket.

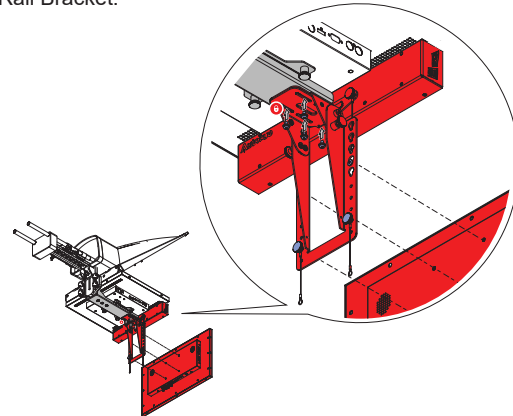


To fit the Clock when there is a talent monitor in use.

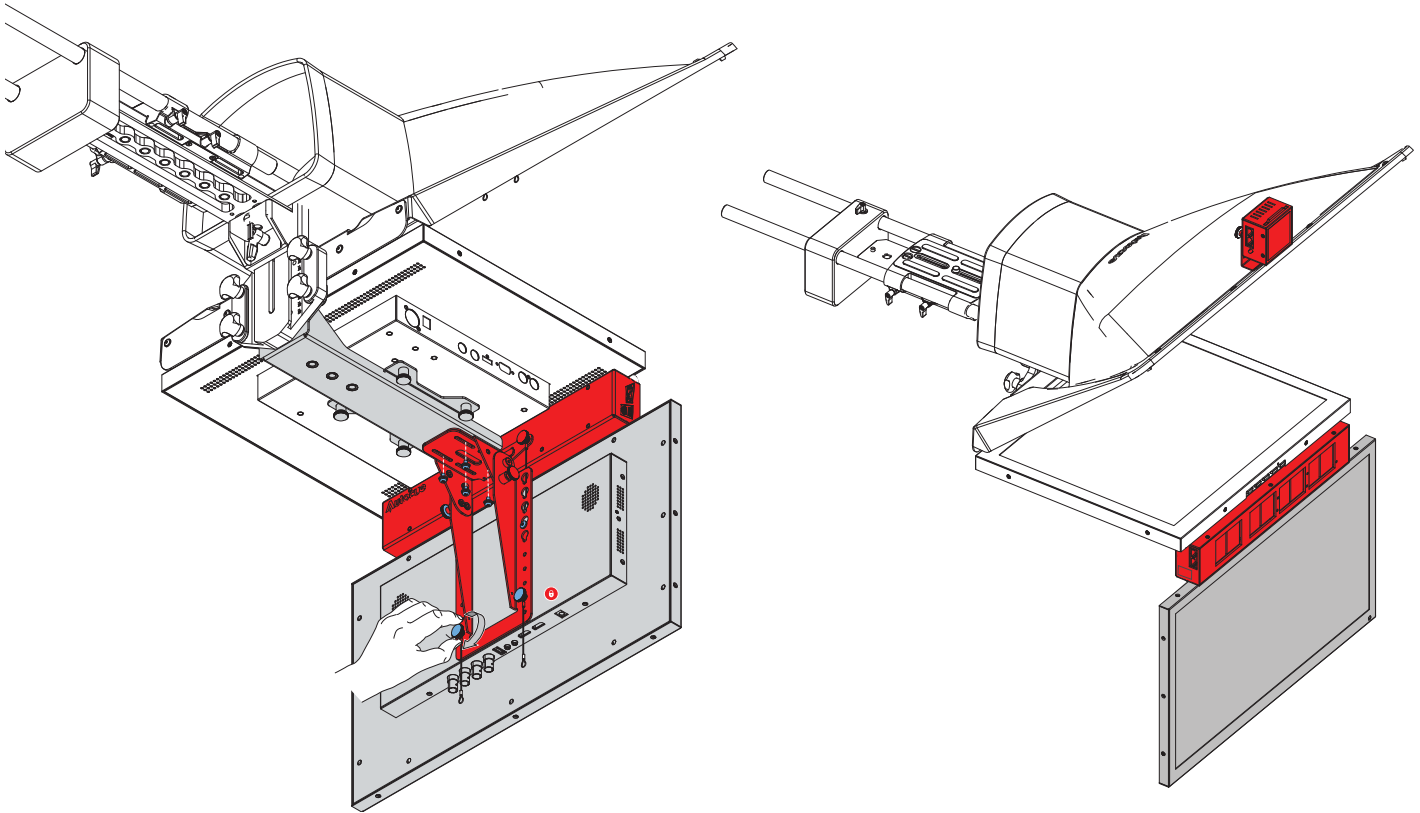
1. Slide the Clock Mounting B raket into the TFM Mounting Bracket



2. Use the 4 x M4 screws to secure the 2 x brackets to the Monitor Rail Bracket.



3. Attach the monitor to the TFM Bracket below the Tally and tighten the 2 x thumbscrews to secure.



# Set-up



## CAUTION! Equipment Damage

When mounting the product, be sure to allow adequate air circulation for cooling. The ventilation holes must not be obstructed. The ambient conditions stated in the “Technical Specifications” chapter must be ensured at all times.

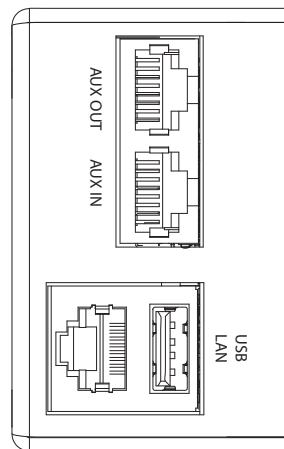
The product must not be twisted during mounting. Use the intended mounting points.



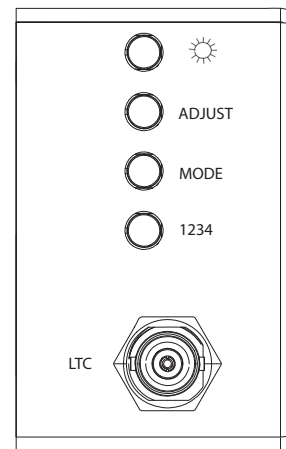
## CAUTION! Fire Hazard, Electric Shock Hazard

Device operators must be in a position to isolate devices that do not have a power switch or whose power switch is not readily accessible from power at all times. This can be achieved by providing either a mains plug that is readily accessible or another disconnection device that is easily accessible.

## Connection



## Clock



LAN .....	1 x RJ45
USB .....	1 x USB-A
AUX .....	IN 1 x RJ45 (Power Input)
AUX OUT .....	1 x RJ45 (Power Output)
LTC .....	1 x BNC

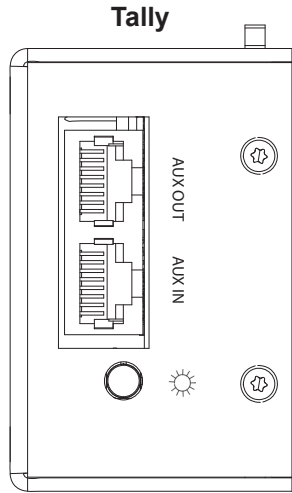
1. Isolate the system and the product from power.
2. Connect the LTC cable to the system's signal output (if present) and to the LTC signal input of the product.
3. Connect AUX IN of the Tally (if present) or the LDR sensor (if present) to the AUX OUT of the Clock.
4. Connect network to LAN.

**Note!** Incorrect cable connections may impair the proper functioning of the product.

5. Attach the power supply into the AUX IN.

**Only** use specified power source:

DC: 12V +/-5%, safety extra-low voltage (SELV)



AUX IN..... 1 x RJ45 (Power Input)  
AUX OUT..... 1 x RJ45 (Power Output)

1. Isolate the system and the product from power.
2. Connect the AUX OUT of the Tally to the LDR sensor or an additional Tally.

**Note!** Incorrect cable connections may impair the proper functioning of the product.

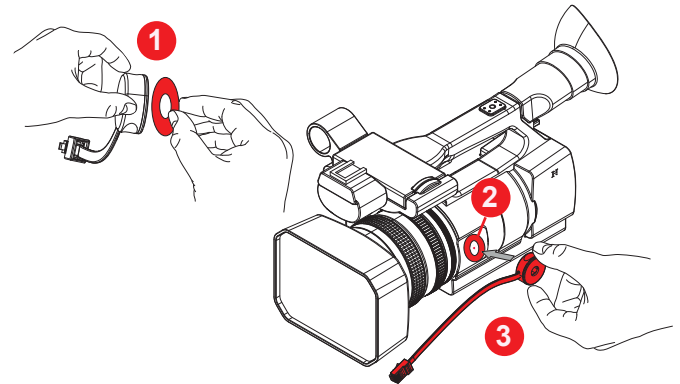
3. Attach the power supply into the AUX IN.
4. Only use specified power source:  
DC: 12V +/-5%, safety extra-low voltage (SELV)!

## Tally Sensor

### Fitting the Tally Sensor to the Camera

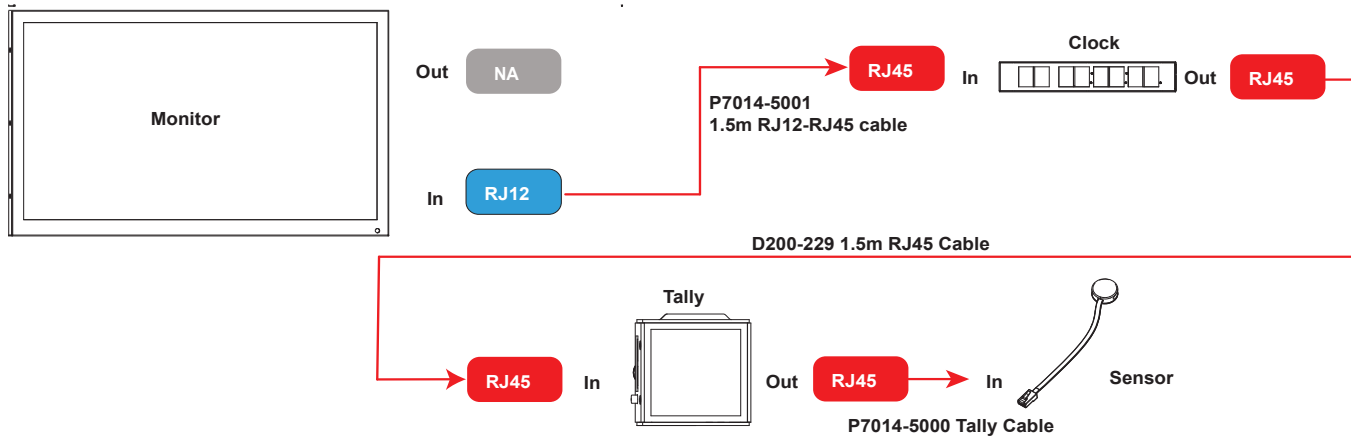
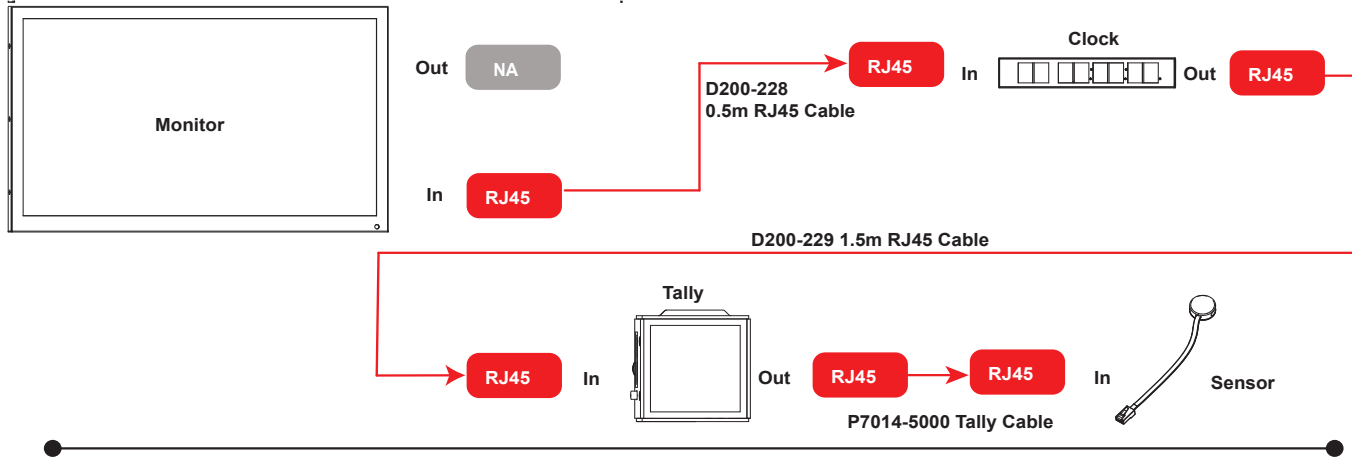
1. Peel the Velcro circle from the back of the Tally Sensor.
2. Affix the Velcro circle around the camera's Tally light.
3. Press the Tally Sensor onto the Velcro attached to the camera.

Once fitted, the sensor will detect when the camera's Tally light is illuminated and will activate the red Tally display accordingly.




# Set-up


Connection Sequence: Monitor > Clock > Tally > Tally sensor



## OSD Controls Clock

	Scroll through six levels of brightness for visual indicators.
<b>Adjust</b>	Select LEDs for adjustment RTC: Push ADJUST to increment value on selected segments. Push MODE to decrement value on selected segments. Push 12/24 to select next segments. Push to save settings.
<b>Mode</b>	Switch between RTC, LTC, NTP
<b>12/24</b>	Switch between 12 and 24 hour format (Press 2 seconds to show IP).

## OSD Controls Tally

	Scroll through six levels of brightness for visual indicators.
---	--

### Normal Mode

- Btn 1** → Increment Brightness
- Btn 2** → Start RTC Time Adjust Mode
- Btn 3** → Toggle Clocks (RTC, NTP, LTC)
- Btn 4** → Short: 12/24h  
Long: Show IP address

### Time Adjust Mode

- Btn 1** → Store / End RTC Time Adjust Value
- Btn 2** → Increment Flashing Value
- Btn 3** → Decrement Flashing Value
- Btn 4** → Toggle Next Flashing Digit

# Troubleshooting

## Troubleshooting

	Tally	Clock
No Power	<ul style="list-style-type: none"> <li>- Is the power applied to the unit.</li> <li>- Is the power cord connected to a voltage conducting socket.</li> <li>- Check the power cord.</li> </ul>	<ul style="list-style-type: none"> <li>- Is the power applied to the unit.</li> <li>- Is the power cord connected to a voltage conducting socket.</li> <li>- Check the power cord.</li> </ul>
Colour Not Switching	<ul style="list-style-type: none"> <li>- Check LDR sensor is applied to the unit.</li> <li>- LDR sensor is defect.</li> </ul>	<ul style="list-style-type: none"> <li>- Check LDR sensor is applied to the unit.</li> <li>- LDR sensor is defect.</li> </ul>
LTC Time Not Shown	<ul style="list-style-type: none"> <li>- Check BNC cable is connected and LTC time is transmitted.</li> <li>- Selection of correct mode.</li> </ul>	NA
NPT Time Not Shown	<ul style="list-style-type: none"> <li>- Is Network cable connected.</li> <li>- Selection of correct mode.</li> </ul>	NA
RTC Time Not Shown	<ul style="list-style-type: none"> <li>- Selection of correct mode.</li> </ul>	NA

## Technical Specifications

	Tally	Clock
DC Input Power	12V	12V
Connector	RJ45 (AUX IN)	RJ45 (AUX IN)
Power Consumption	8.4W max.	3W max.
Operating Temperature	5 - 35°C	5 - 35°C
Storage Temperature	-10 - 60°C	-10 - 60°C
Operating Humidity	20 - 80% RH	20 - 80% RH
Storage Humidity	20 - 80% RH	20 - 80% RH

## Cleaning



### **Warning! Electric Shock Hazard**

Isolate the product from power before cleaning the device surface. Wait until all cleaned parts are completely dry before reconnecting the device to the power line.

Wipe the equipment surface down with a moist cloth; do not allow liquid to enter the equipment. Clean the product with a lint-free, soft cloth. Do not use (glass) cleaning agents or paper tissues for cleaning.

# General Notices

## Declaration of Conformity



### CE Compliance

This product has been tested and found to comply with the essential requirements and other relevant provisions of the EMC Directive 2014/30/EU and the Low Voltage Directive 2014/35/EU.

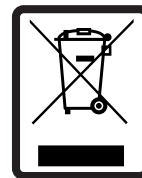
### RoHS Compliance

This product is in compliance with the Restriction of Hazardous Substances (RoHS) Directive 2011/65/EU, which restricts the use of certain hazardous substances in electrical and electronic equipment.

### Supplier Declaration of Conformity

The components used in this product have been sourced from suppliers who have provided declarations of conformity with the applicable regulations and standards. These declarations are available upon request.

## Environmental considerations



### European Union Waste of Electrical and Electronic Equipment (WEEE) Directive (2012/19/EU)

This symbol marked on the product or its packaging indicates that this product must not be disposed of with general household waste. In some countries or European Community regions separate collection systems have been set up to handle the recycling of electrical and electronic waste products. By ensuring this product is disposed of correctly, you will help prevent potentially negative consequences for the environment and human health. The recycling of materials helps conserve natural resources.

Visit our website for information on how to safely dispose of this product and its packaging.

### In countries outside the EU:

Dispose of this product at a collection point for the recycling of electrical and electronic equipment according to your local government regulations.

## FCC Certification



## FCC Notice

This product complies with the limits for a Class B digital device, pursuant to Part 15 of the FCC Rules. These limits are designed to provide reasonable protection against harmful interference in a residential installation. This equipment generates, uses and can radiate radio frequency energy and, if not installed and used in accordance with the instructions, may cause harmful interference to radio or television reception, which can be determined by turning the equipment off and on. The user is encouraged to try to correct the interference by one or more of the following measures:

- Reorient or relocate the receiving antenna.
- Increase the separation between the equipment and receiver.
- Connect the equipment into an outlet on a circuit different from that to which the receiver is connected.
- Consult the dealer or an experienced radio/television technician for assistance.

## FCC Warning

Changes or modifications not expressly approved by the party responsible for compliance could void the user's authority to operate the equipment.

## FCC Declaration of Conformity

This product complies with Part 15 of the FCC Rules. Operation is subject to the following two conditions:

1. This product may not cause harmful interference.
2. This product must accept any interference received, including interference that may cause undesired operations.

Publication No. P7014-4981/0



[/www.autocue.com/](http://www.autocue.com/)